

HKA—K3YDD系列霍尔电流变送器

(HKA—K3YDD Hall-effect Current Transducer Series)

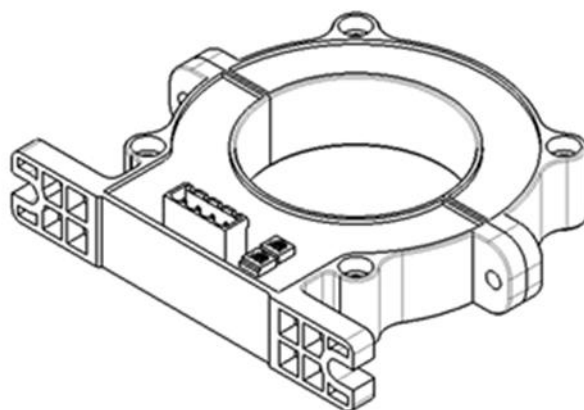
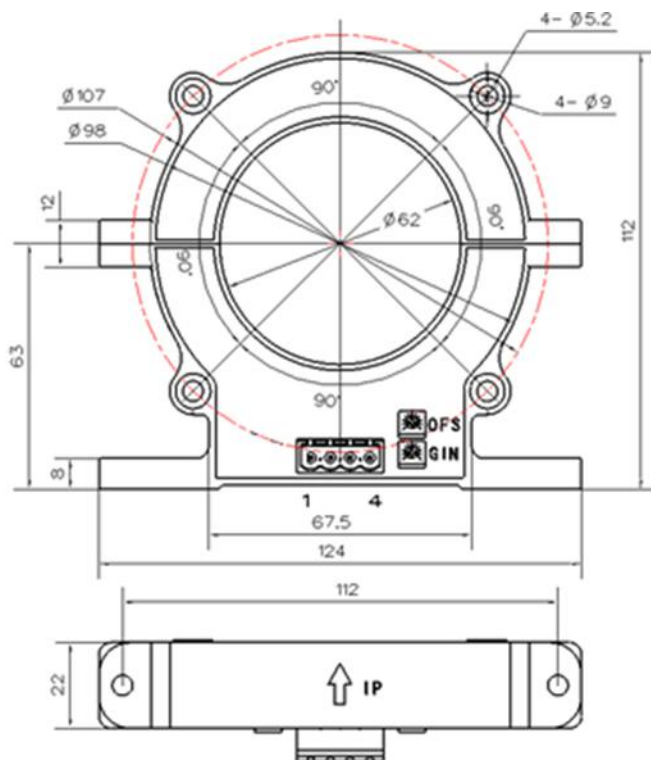
HKA—K3YDD 系列霍尔电流传感器的初、次级之间是绝缘的，可用于测量直流电流。

(HKA—K3YDD Series Hall-effect Current transducer between primary and secondary is insulated, can be used for the measurement of DC current)

电气参数 (Electrical characteristics)								
	型号 Type	HKA500 - K3YDD	HKA1000 - K3YDD	HKA2000 - K3YDD	HKA4000 - K3YDD	HKA6000 - K3YDD		
I _{pn}	额定输入电流 (DC) Rated input	500	1000	2000	4000	6000	A	
I _{pm}	测量电流范围 (DC) Measuring range	1000	2000	3000	4800	6600	A	
R _m	测量电阻 Measuring resistance	0-400						Ω
I _{out}	输出电流 Rated output current	4~20 (0-20mA 可选)						mA
I _o	零电流失调 Zero offset current	<4±0.1						mA
V _c	电源 Supply voltage	+24±5%						V
I _c	静态功耗 Current consumption	≤60+I _{out}						mA
I _{ot}	零点温漂 Thermal drift of I _o	≤±0.005						mA/°C
F	带宽 Frequency bandwidth (-3 dB)	DC						Hz
ε _G	精度 Accuracy	1						%
ε _L	线性度 Linearity	1						%

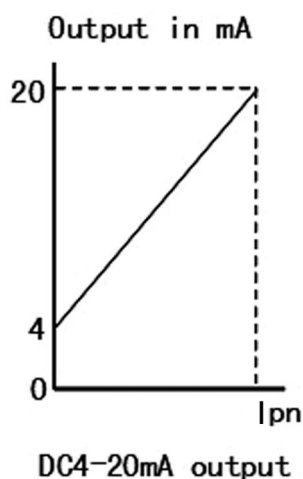
Tr	响应时间 Response time	≤ 200	mS
Vd	绝缘电压 Insulation voltage	5.5	KV
Ta	工作温度 Ambient operating temperature	-40~+85	°C
Ts	储存温度 Ambient storage temperature	-40~+125	°C
M	重量 mass	550	g
	标准 Standards	EN50178\IEC61010-1\UL94-Vo\ROHS	

机械参数 Dimensions (mm)



引脚说明: 1: +24V; 2: 电源地; 3: Iout; 4: 输出地
端子标准: 5.08mm, 4pin 插接端子
可选择电缆输出

线性关系 (Linear)



使用说明 Remarks

- 1、应用：通讯电源、不间断电源UPS、斩波器、电化学、整流、电源监测、电焊机、变频、开关电源、电池监测、电动机监测等领域。Application: communication power supply, uninterruptible power supply UPS chopper, electrochemical, rectifier, power monitoring, welding machines, inverter, switching power supply, battery monitoring, motor monitoring fields.
- 2、传感器的输出幅度可根据用户需要进行适当调节。The amplitude of the output of the sensor can be appropriately adjusted according to user needs.
- 3、可按用户需求定制不同额定输入电流和输出电压的传感器。Custom different rated input current and the output voltage of the sensor.
- 4、当待测电流从变送器穿过，即可在输出端测得电流大小。（注意：错误的接线可能导致变送器损坏）When the current to be measured is across from the transmitter can be measured at the output current size. (Note: incorrect wiring may cause transmitter damage)