

## HKA—K1YDV系列霍尔电流变送器

### (HKA—K1YDV Hall-effect Current Transducer Series)

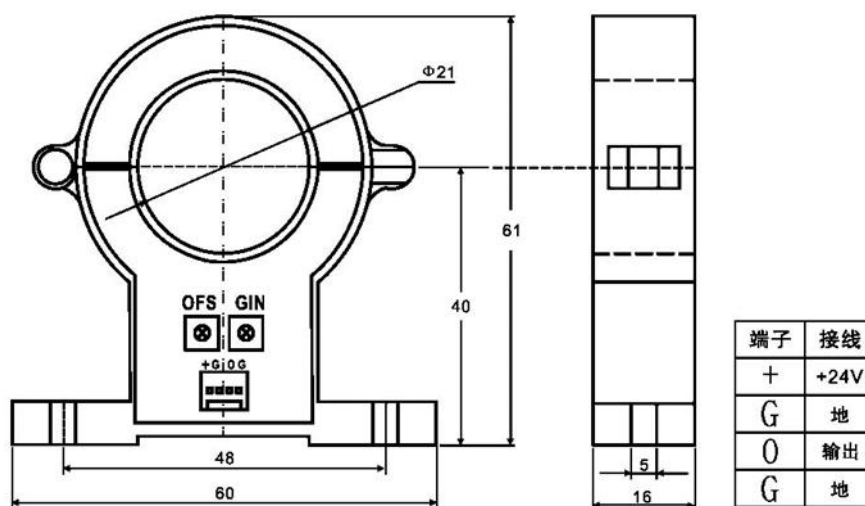
HKA—K1YDV 系列霍尔电流传感器的初、次级之间是绝缘的，可用于测量交流电流。

(HKA—K1YDV Series Hall-effect Current transducer between primary and secondary is insulated, can be used for the measurement of AC current)

电气参数 (Electrical characteristics)								
	型号 Type	HKA30 - K1YDV	HKA50 - K1YDV	HKA100 - K1YDV	HKA200 - K1YDV	HKA400 - K1YDV	HKA500 - K1YDV	
I <sub>pn</sub>	额定输入电流 (AC) Rated input	30	50	100	200	400	500	A
I <sub>pm</sub>	测量电流范围 (AC) Measuring range	60	100	200	400	800	1000	A
R <sub>m</sub>	负载电阻 Load resistance	$\geq 10$						K $\Omega$
I <sub>out</sub>	输出电压 Rated output voltage	5						V
I <sub>o</sub>	零电压失调 Zero offset voltage	$< \pm 25$						mV
V <sub>c</sub>	电源 Supply voltage	$24 \pm 5\%$						V
I <sub>c</sub>	静态功耗 Current consumption	$\leq 40$						mA
I <sub>ot</sub>	零点温漂 Thermal drift of I <sub>o</sub>	$\leq \pm 1$						mV/ $^{\circ}\text{C}$
F	带宽 Frequency bandwidth (-3 dB)	20~20000						Hz
$\varepsilon G$	精度 Accuracy	1						%
$\varepsilon L$	线性度 Linearity	1						%

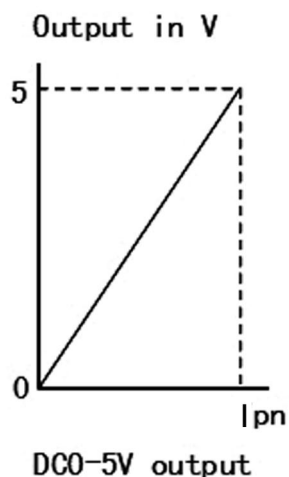
Tr	响应时间 Response time	$\leq 200$	mS
Vd	绝缘电压 Insulation voltage	2.5	KV
Ta	工作温度 Ambient operating temperature	-40~+85	°C
Ts	储存温度 Ambient storage temperature	-40~+125	°C
M	重量 mass	75	g
	标准 Standards	EN50178\IEC61010-1\UL94-Vo\ROHS	

机械参数 Dimensions (mm)



引脚说明: +: +24V; -: G; O: Vout; G: 输出地  
端子标准: 3.52mm, 4pin 插接端子

## 线性关系 (Linear)



### 使用说明 Remarks

- 1、应用：通讯电源、不间断电源UPS、斩波器、电化学、整流、电源监测、电焊机、变频、开关电源、电池监测、电动机监测等领域。Application: communication power supply, uninterruptible power supply UPS chopper, electrochemical, rectifier, power monitoring, welding machines, inverter, switching power supply, battery monitoring, motor monitoring fields.
- 2、传感器的输出幅度可根据用户需要进行适当调节。The amplitude of the output of the sensor can be appropriately adjusted according to user needs.
- 3、可按用户需求定制不同额定输入电流和输出电压的传感器。Custom different rated input current and the output voltage of the sensor.
- 4、当待测电流从变送器穿过，即可在输出端测得电压大小。（注意：错误的接线可能导致变送器损坏）When the current to be measured is across from the transmitter can be measured at the output voltage size. (Note: incorrect wiring may cause transmitter damage)